

esnbia

Installation Manual

ENJOY BATH , ENJOY LIFE

SCAN HERE FOR HELP



<https://www.esnbia.com>

CONTACT US

inquiry.raycharm@hotmail.com

service@esnbia.com



CONTENTS



1	Brand Introduction	01
2	Certification for North American	02
3	Installation Manual	03

13. PRODUCT REPARATION

If the cartridge is worn out which cause leakage, please turn off the water source. Remove the handle, panel, and decorative cover in sequence, remove the gland with a wrench, then take out the cartridge and copper sleeve. Repair or replace the new cartridge, then install it again in sequence.

14. CLEARANCE AND MAINTENANCE

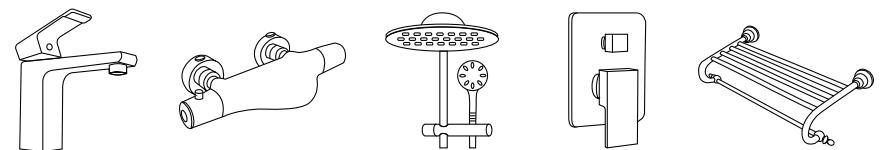
In order to keep the faucet appearance smooth and good performance, please follow the below steps to clean and maintain the faucet.

- 1、 Clean with water and dry with a soft cotton cloth;
- 2、 Use a mild liquid and a colorless glass cleaner to remove surface dirt and scale, also you can use the cleaner without grinding function.
- 3、 Do not use detergents, polishing tools, abrasive cloth, paper towels or scrapers to clean the faucet.
- 4、 Do not use acid cleaners, insoluble granular detergents, soaps, etc to clean the faucet.

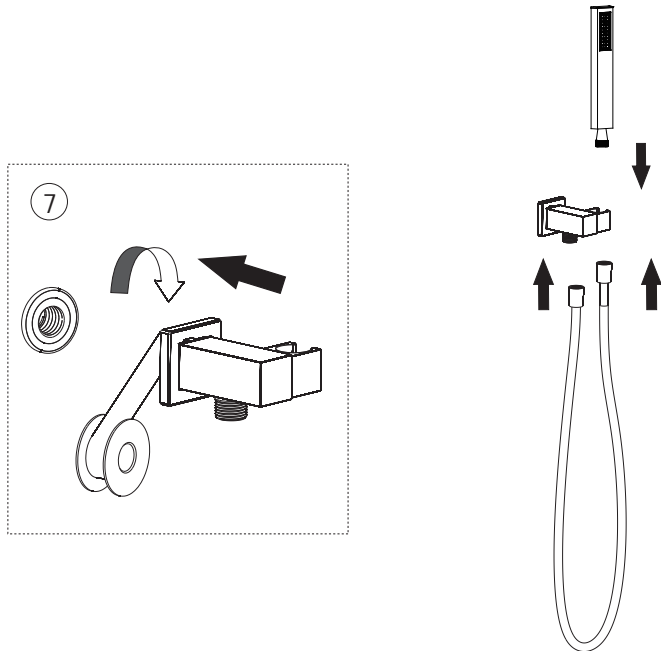
Collections

Inspirations in the bathroom and kitchen from ESNBIA

An ESNBIA collection consists of bathroom sink faucets and showers, bathtubs faucet and accessories – all of consistent design. Here, ESNBIA's design partners lend the collections their own particular character.

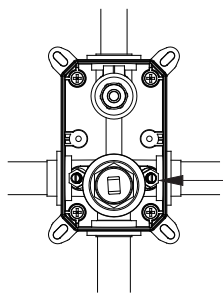


11. HANDLE SHOWER INSTALLATION



12. ADJUSTMENT OF CHECK VALVES

The outlet water adjusting device of the left and right sides, it can adjust the water flow rate and close outlet water function when you need to repair/change cartridge.



It can close water when you screw clockwise slotted screwdriver on both sides

Note: If only close one side that it will cause faucet abnormal outlet water, for normal outlet water please make sure the adjusting position on both sides is open (counterclockwise to open).

BRAND INTRODUCTION

"I am sure there are things that can't be cured by a good bath, but I can't think of one," wrote by novelist Sylvia Plath in The Bell Jar.

We've long known that going for a run, or getting any form of exercise, helps get you out of a bad mood and enter the happy zone!

But there's one more thing you should definitely do to help symptoms of SAD, lethargy and feeling crappy in general...

When you have had a very long day, when fate seemed to have something against you, throwing all sorts of challenges and negative energy bombs your way, trying to see if you can actually trip and fall, a bath will save the day.

When you have a sore back from all those hours sitting stiffly in front of the computer, when you simply need to get away from everything and enjoy a few moments with yourself or relax without having to leave your house, a bath is the solution you've been looking for.

A bath can make your life better!

Enjoy bath, enjoy life



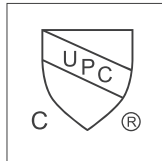


<http://pld.iapmo.org/default.aspx> 🔍

Attention: Be aware of the faucets you are buying. Only those full set faucets listed in IAPMO R&T are qualified with UPC certificate - Not partial components, such as cartridge, gadgets or other parts of the faucets could be claimed with UPC certified.

let's make it simple,

- UPC models=all the water passing parts are UPC certified
- One part with UPC≠one complete model with UPC
- So how to verify one model with or without UPC, please check below.



Entering the IAPMO R&T website online!

STEP1

Select the "Listee Name", and enter the company name "HIMARK" in the search box, then the below will display the company name "HIMARK sanitary ware co., ltd" and the corresponding certificate number.

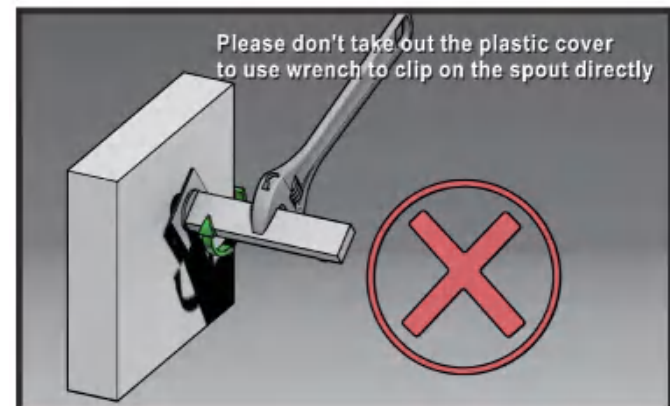
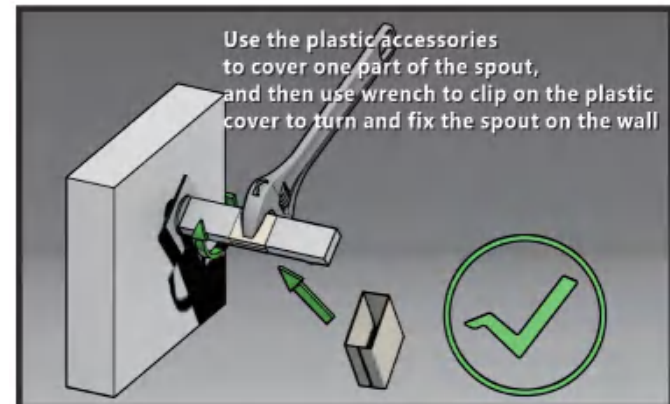
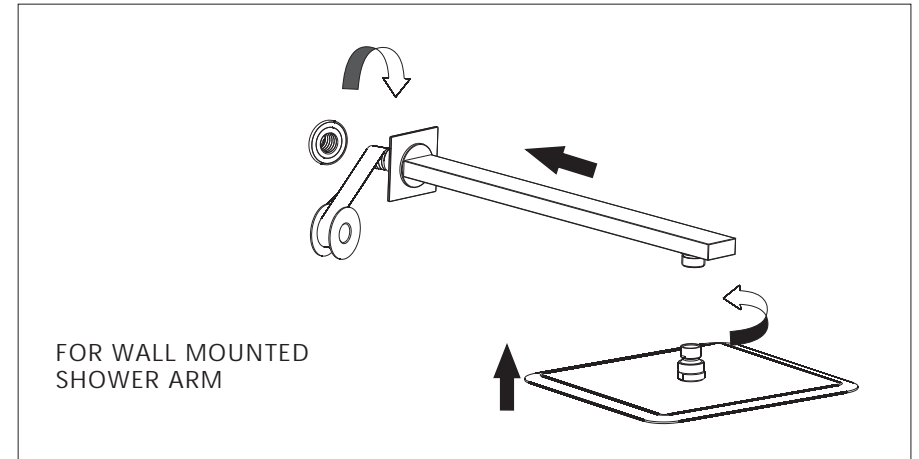
STEP2

Click UPC Certificate No. 8933, and you will see a list of products that have received the UPC certificate. All product models in the list are received the UPC certificate.

STEP3

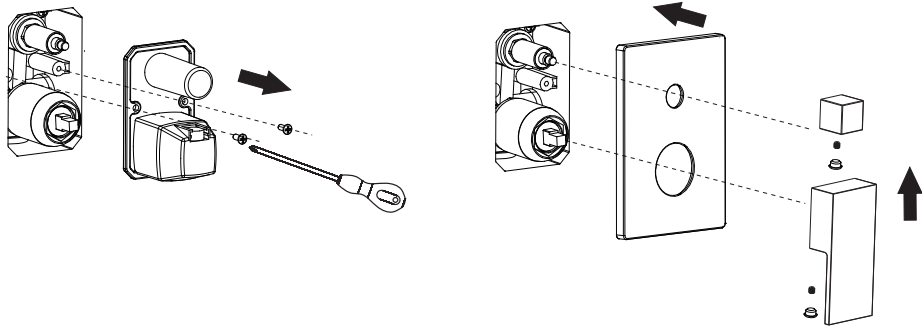
On the page of product list, you can use the "Ctrl + F" key on the computer keyboard, and enter the product model you want to find in the search box, the system will automatically match the product model that you want.

10. SHOWER SETS INSTALLATION

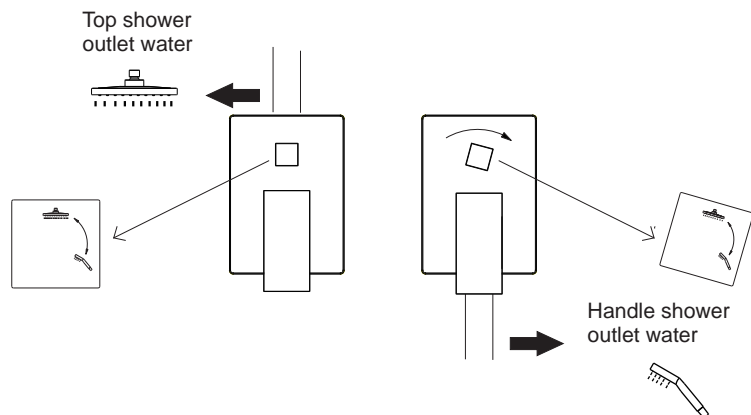


9. INSTALLATION OF CONTROL VALVE

- 1、 Take off the protective panel and cover
- 2、 The decorative panel and the handle are connected to the control valve as shown below sequence.



According to the figure below, please correctly adjust the direction of water separator handle

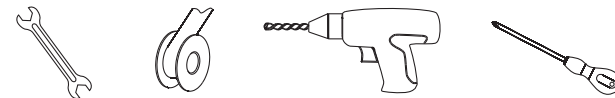


1. INSTALLATION PRECAUTIONS

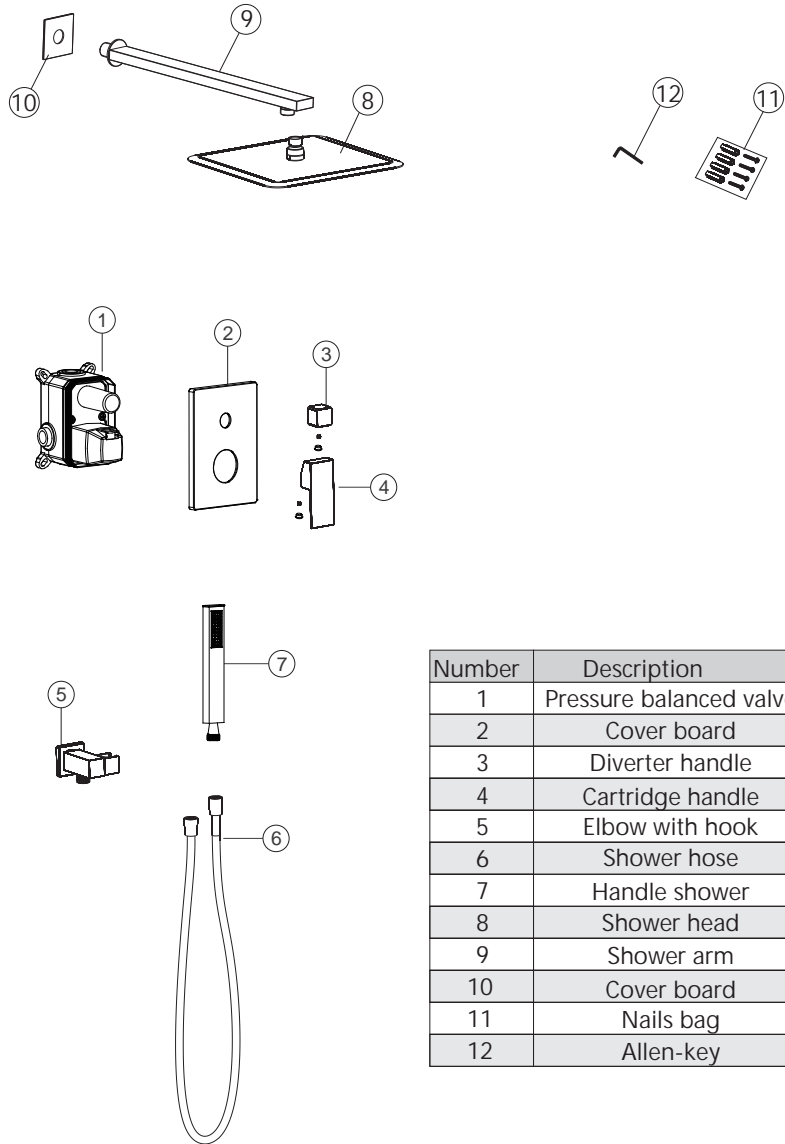
1. When you open the product packaging, please check the product and accessories at first. If there is any discrepancy, please contact the company or our distributor immediately.
2. The hot and cold water supply pipe of the faucet must be properly connected.
When facing the front of the faucet, the hot water supply is on the left and cold water supply is on the right. Incorrect connection will cause permanent damage to the cartridge.
3. If the accessories to be changed without affecting the use, we will not make a prior notice.
4. The impurities in the water supply pipe must be cleared before installation to avoid blockage.
5. The water pressure of the faucet is 0.05MPa-1.0MPa (including cold water and hot water pressure).
Applicable water temperature range: 39°F - 194°F

2. PREPARATION BEFORE INSTALLATION

1. Please read the installation manual carefully before installation.
2. Installation work must be performed by a professional installer.
3. Installation tool :



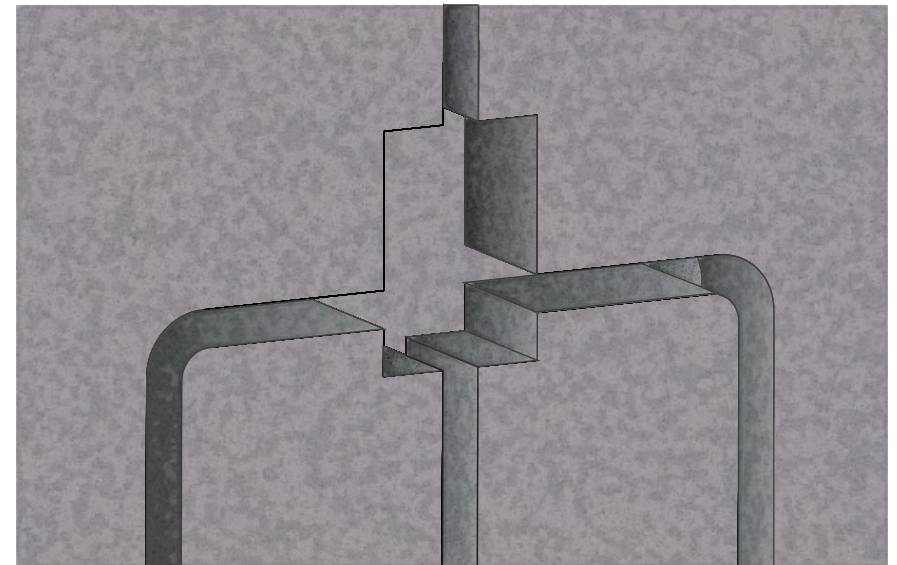
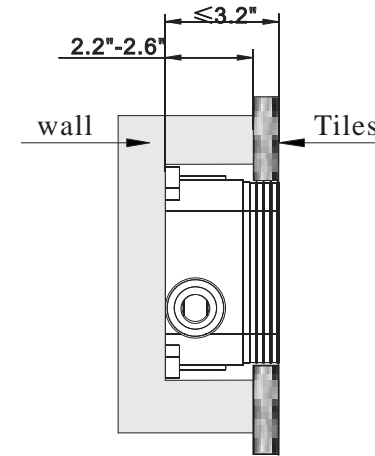
3. TWO FUNCTION CONCEALED FAUCET ACCESSORIES LIST



Number	Description	Quantity
1	Pressure balanced valve	1
2	Cover board	1
3	Diverter handle	1
4	Cartridge handle	1
5	Elbow with hook	1
6	Shower hose	1
7	Handle shower	1
8	Shower head	1
9	Shower arm	1
10	Cover board	1
11	Nails bag	1
12	Allen-key	1

8. THE PROCEDURE OF SEALING THE WALL

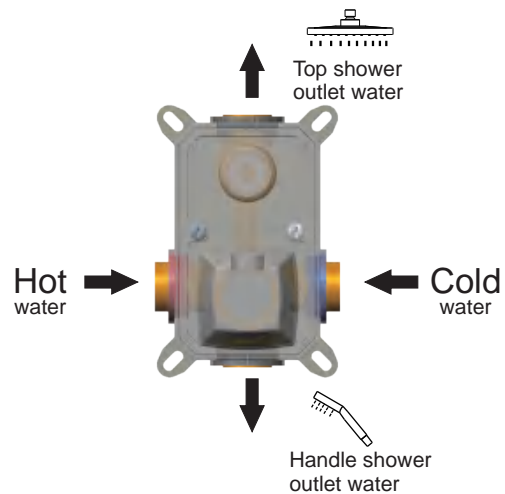
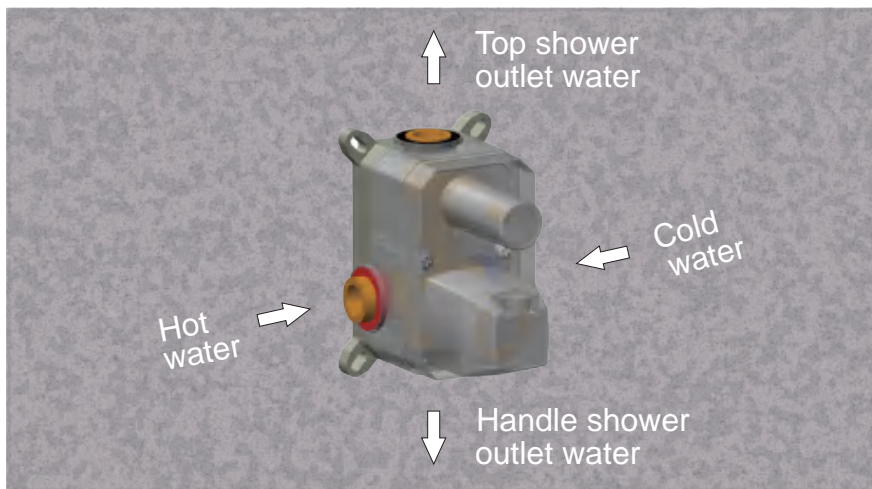
Use a parallel ruler to measure the flatness of the embedded box casing and the vertical wall surface. If the wall surface is not flat, it should be patched to ensure the embedded box casing and vertical wall angle meets at nearly ideal angle of 90, then lay the tile decoration.



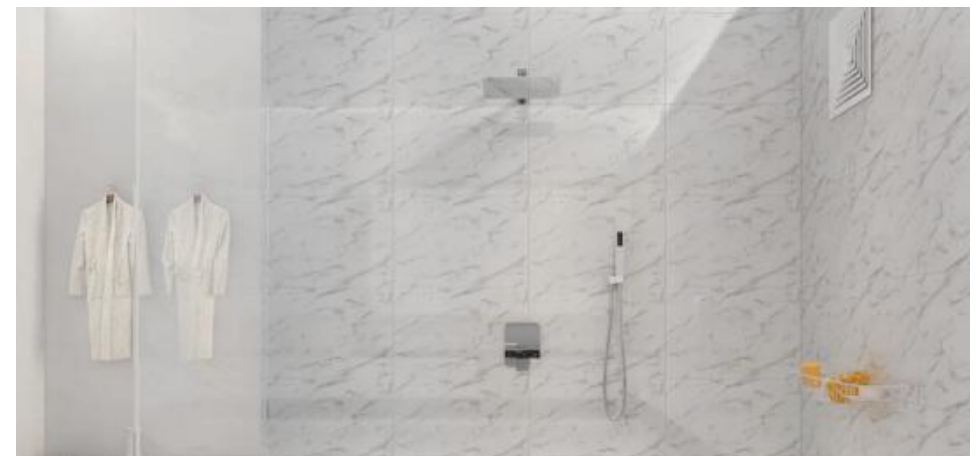
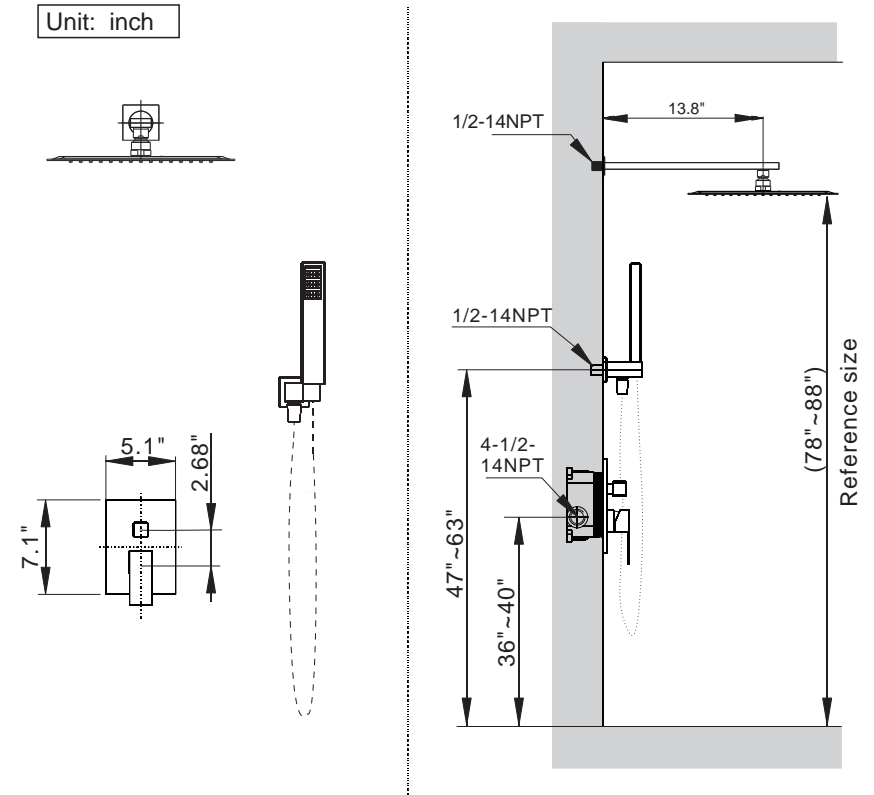
7. WATER TESTING AND SEALING TESTING

- 1、 After the pipe connection is completed, open the protective panel and cover, and then open the cartridge, flush the pipeline; then close the cartridge to check the pressure resistance and sealing performance of the pipeline, make sure there are no leakage.
- 2、 Block each outlet pipe with a stopper then open the cartridge to check if the pipe joint is well-sealed and the pipe condition under pressure to ensure no leakage.

Testing Purpose: Flush the impurities and sludge in the pipeline to avoid clogging and affect the effluent functions.

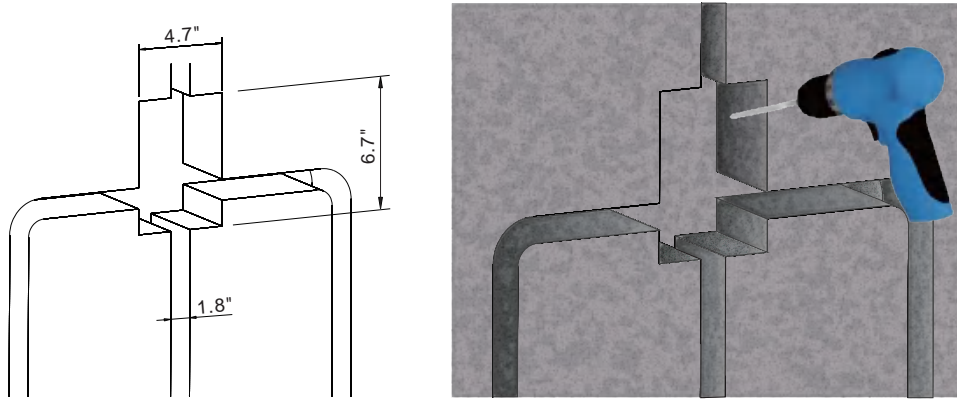


4. TECHNICAL DRAWING OF PRODUCT

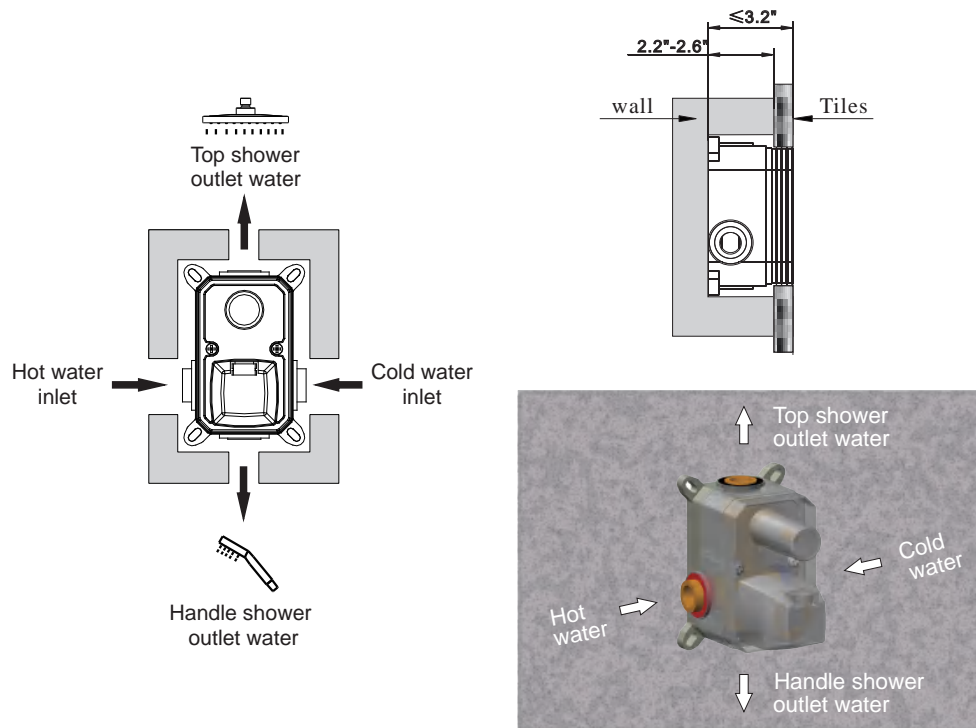


5. TECHNICAL DRAWING OF DRILLING SIZE

- 1、 The size of the embedded box that needs to be drilled is 4.7"*6.7".



- 2、 The depth of the embedded box is 2.2"-2.6". It's better to drill the depth of 2.2" for blank wall.



6. PIPE CONNECTION

- 1、 Please drill the holes on the wall for the main body embedded part, hot and cold water inlet pipes as well as shower arm connection pipes according to the basic product dimension drawing as below.
- 2、 Please make hot and cold water inlet pipe, the mixed water outlet pipe connect with control valve, and tighten with the wrench

