

Specifications

OPERATION

- Lever style handle with temperature indicator on the escutcheon
- Handle operates counterclockwise through a 120° arc with off at 6 o'clock and maximum hot at the 2 o'clock position. Shut off in clockwise direction
- Adjustable temperature limit stop to control maximum hot water temperature
- Pressure balancing mechanism maintains selected discharge temperature to $\pm 3.6^{\circ}\text{F} (\pm 2^{\circ}\text{C})$


FLOW

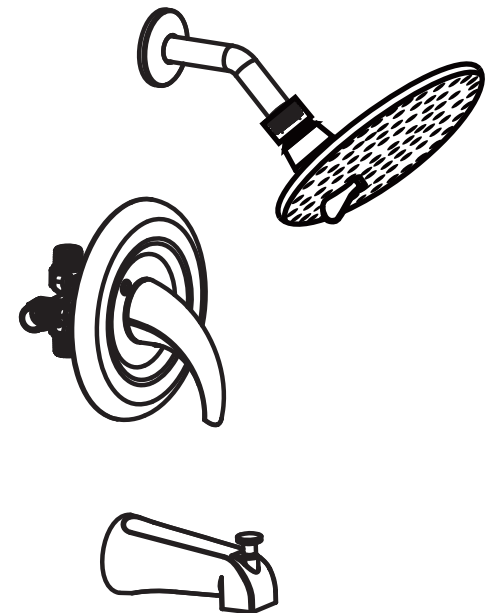
- Showerhead is limited to 2.5gpm(9.5L/min) at 80psi
- Bathtub spout is minimum to 2.4gpm(9.0L/min) at 20psi

CARTRIDGE

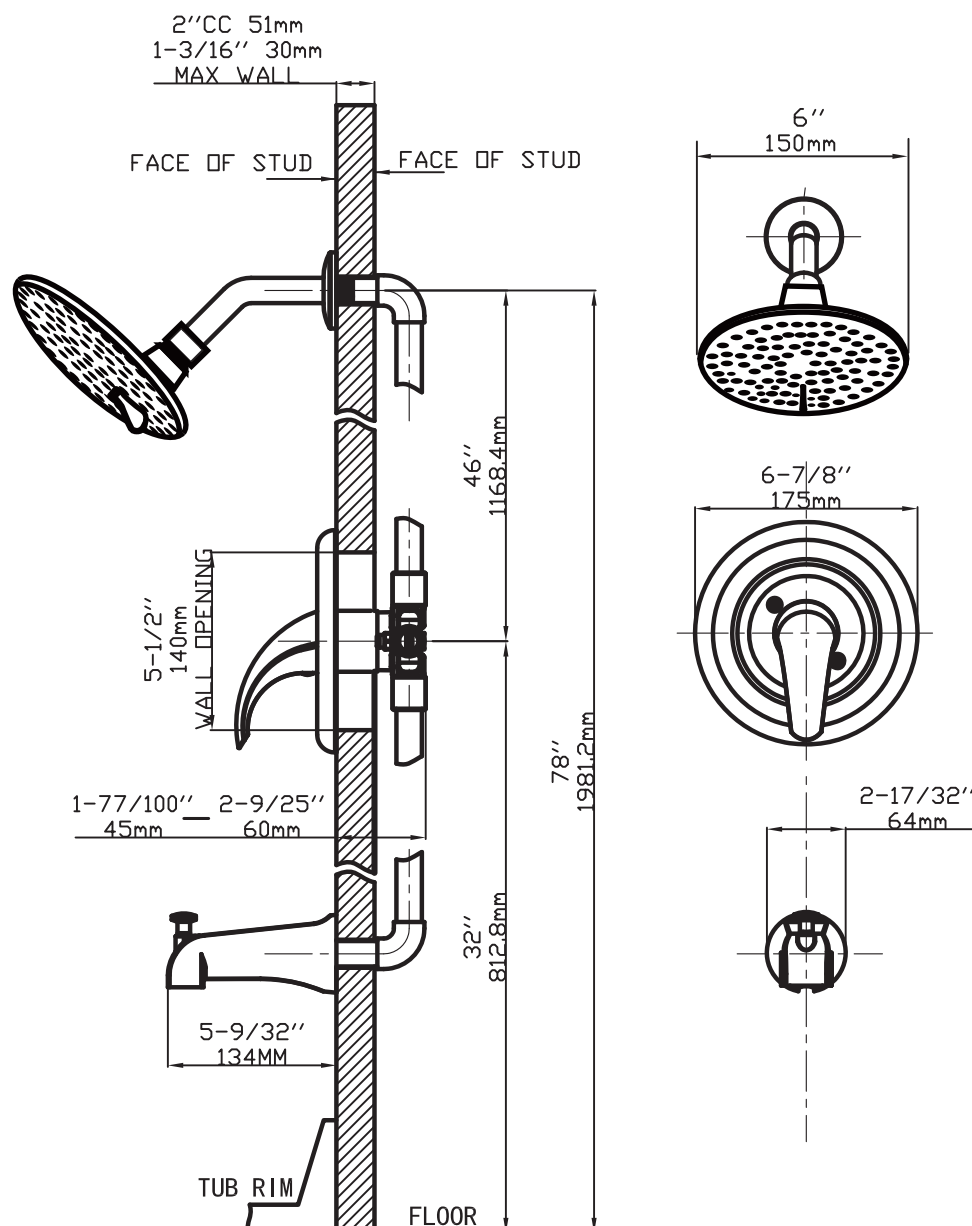
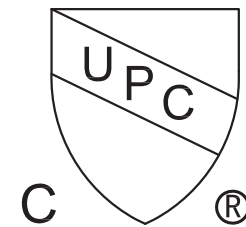
- Pressure Balance cartridge

STANDARDS

- Third party certified to meet ASME A112.18.1 all applicable requirements referenced therein
- ADA  for lever handle



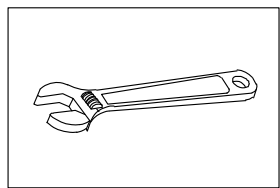
Concealed Shower Set



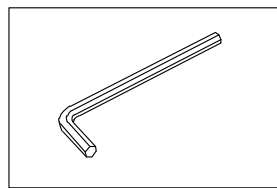
CRITICAL DIMENSIONS

Concealed Shower Set Installation

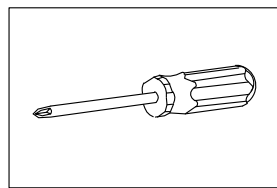
INSTALLATION MANUAL Tools You Will Need :



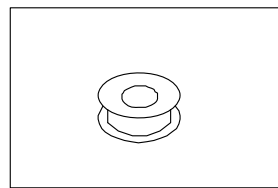
Adjustable wrench



Hexagon wrench



Philips Screwdriver

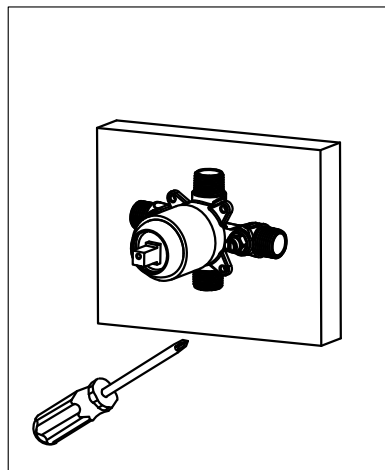


Pipe Tape

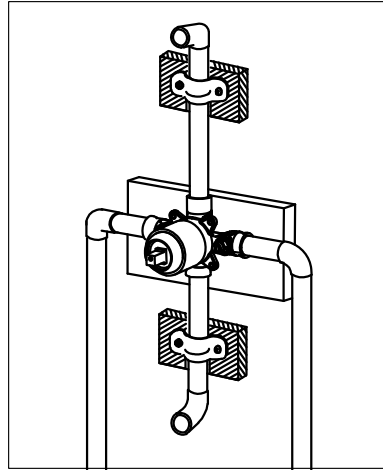
Notes before installation :

1. Please check that all components are present.
2. Before installation ensure that all feed lines are clear of debris and on/off valve is present.
3. Ensure water pressure is between 20-125 PSI (includes combination of hot and cold feed lines).
4. Pictures in the manual are general in content and may not represent exactly your purchased faucet. If you are having difficulties please contact a professional plumber.
5. If you will be away from home for an extended period you should shut off the main water supply.

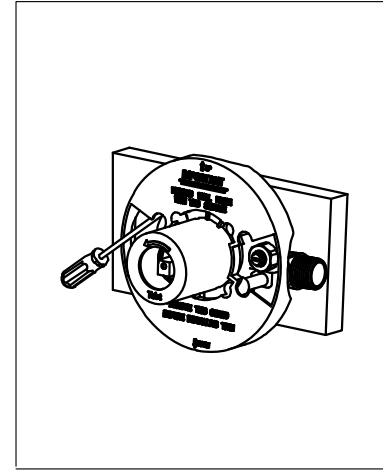
⚠ All valves pass air and water testing during manufacture. If request air test before installation, MUST under the guide of professional plumber, and air pressure DO NOT over 145PSI (=10KG).



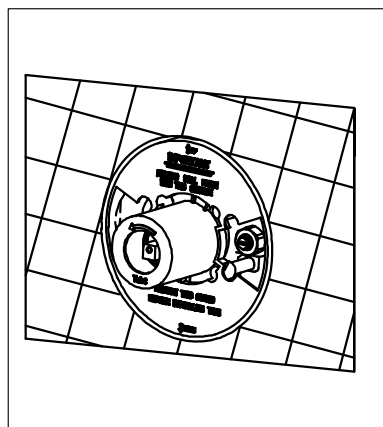
1. Confirm the installed place of the pressure balance valve and fixed on the wood block .



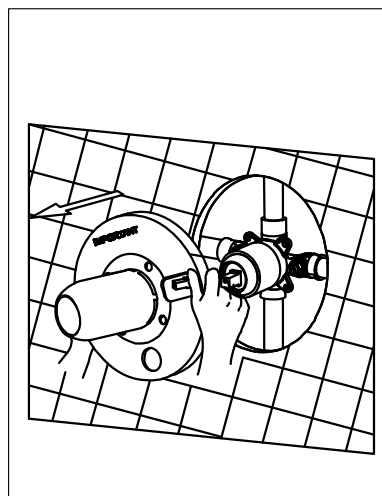
2. Connect the hot&cold inlet tube and outlet tube, then make sure the tube fix stable on the wooden wall.



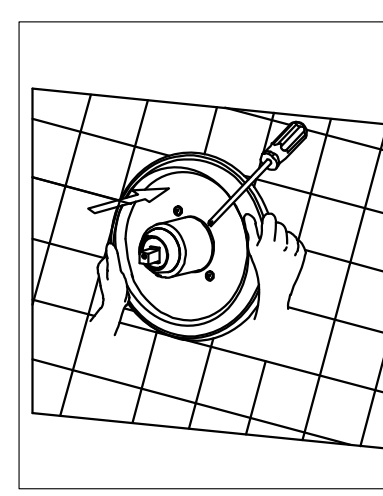
3. Lock the install protective cover into the body.(Φ140mm round type).



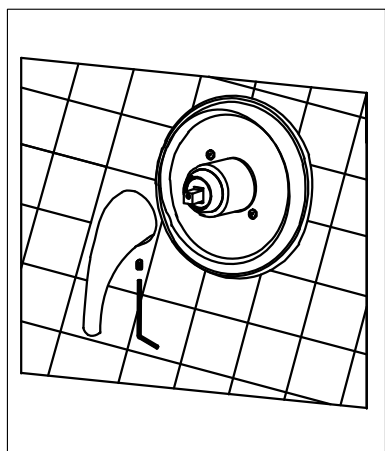
4. Please cut the size of the tile hole according to the size and shape of the protected cover (about 5mm bigger than the protected cover from each side). And please put the tile outside the wooden wall (please noted that we keep the same central point for the tile hole with the protected cover).



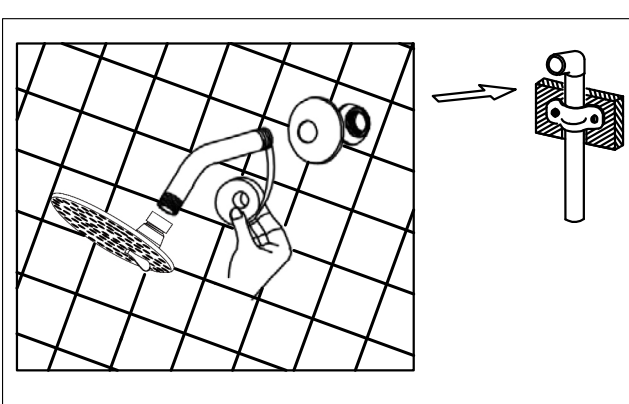
5. Loosen the screw and remove protect cover.



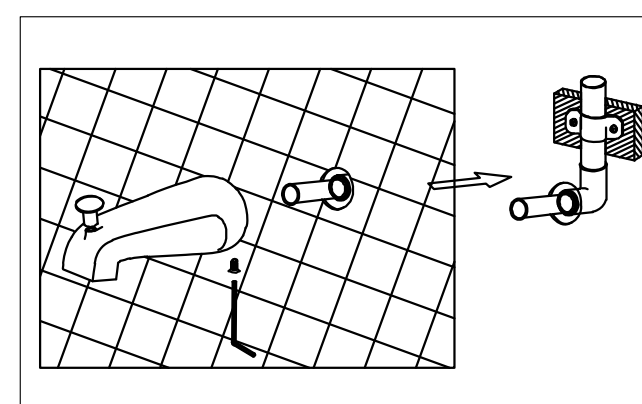
6. Lock the deck plate into the body and cling to the wall, then tight the screw.



7. Put on the handle, then tight the screw.



8. Install the shower arm, shower head and flange to the fitting. (stick to the wall). Tighten the showerhead to the shower arm with the pipe tape. (Make sure the pipe tape with clockwise direction).



9. Insert the spout to the pipe which outside the wall, then tighten the screw.