

# Installation Manual

ENJOY BATH , ENJOY LIFE



Scan the QR code to contact us

<https://www.esnbia.com>



# CONTENTS

---

- 01 Brand Introduction
- 02 Quality Assurance
- 03 Certification for North American
- 04 Installation Manual

## BRAND INTRODUCTION

*ESNBIA thanks to its Germany quality heritage, have been on a mission to bring you the very best experience of enjoy bath life for both your body and mind.*

*"I am sure there are things that can't be cured by a good bath, but I can't think of one," wrote by novelist Sylvia Plath in The Bell Jar.*

*We've long known that going for a run, or getting any form of exercise, helps get you out of a bad mood and enter the happy zone!*

*But there's one more thing you should definitely do to help symptoms of SAD, lethargy and feeling crappy in general...*

*When you have had a very long day, when fate seemed to have something against you, throwing all sorts of challenges and negative energy bombs your way, trying to see if you can actually trip and fall, a bath will save the day.*

*When you have a sore back from all those hours sitting stiffly in front of the computer, when you simply need to get away from everything and enjoy a few moments with yourself or relax without having to leave your house, a bath is the solution you've been looking for.*

*A bath can make your life better!*

*Enjoy bath, enjoy life*



# QUALITY ASSURANCE

With our after-sale service, your concern can be resolved following 3 steps, any questions you have regarding our products will be resolved easily.



## STEP1: INSTALLATION MANUAL

Our installation manuals are available for any needs you should have, from general installation instructions to more specific instructions, depending on the product.

## STEP2: QUICK SUPPORT

If any small incident has arisen with our products, you only need to follow the path until finding the solution in our online technical service.

## STEP3: ONLINE TECHNICAL SERVICE

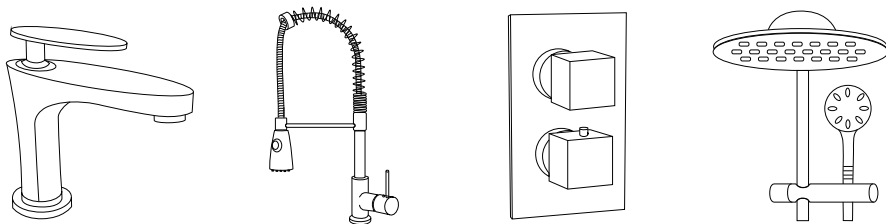
To receive Technical Support, please feel free to email us, we will reply you as soon as possible.

Email address: [inquiry.raycharm@hotmail.com](mailto:inquiry.raycharm@hotmail.com)

# COLLECTIONS

Inspirations in the bathroom and kitchen from ESNBIA

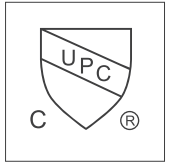
An ESNBIA collection consists of bathroom sink faucets and showers, bathtubs faucet and accessories – all of consistent design. Here, ESNBIA's design partners lend the collections their own particular character.



Attention: Be aware of the faucets you are buying. Only those full set faucets listed in IAPMO R&T are qualified with UPC certificate - Not partial components, such as cartridge, gadgets or other parts of the faucets could be claimed with UPC certified.

let's make it simple,

- UPC models=all the water passing parts are UPC certified
- One part with UPC≠one complete model with UPC
- So how to verify one model with or without UPC, please check below.



## ENTERING THE IAPMO R&T WEBSITE ONLINE!



### STEP1

Select the "Trademark / Trade Name / Brand Name", and enter the brand name "ESNBIA" in the search box, then the below will display the corresponding certificate number and the company name.

### STEP2

Click UPC Certificate No. K-11832, and you will see a list of products that have received the UPC certificate. All product models in the list are received the UPC certificate.

### STEP3

On the page of product list, you can use the "Ctrl + F" key on the computer keyboard, and enter the product model you want to find in the search box, the system will automatically match the product model that you want.

## 1. INSTALLATION PRECAUTIONS

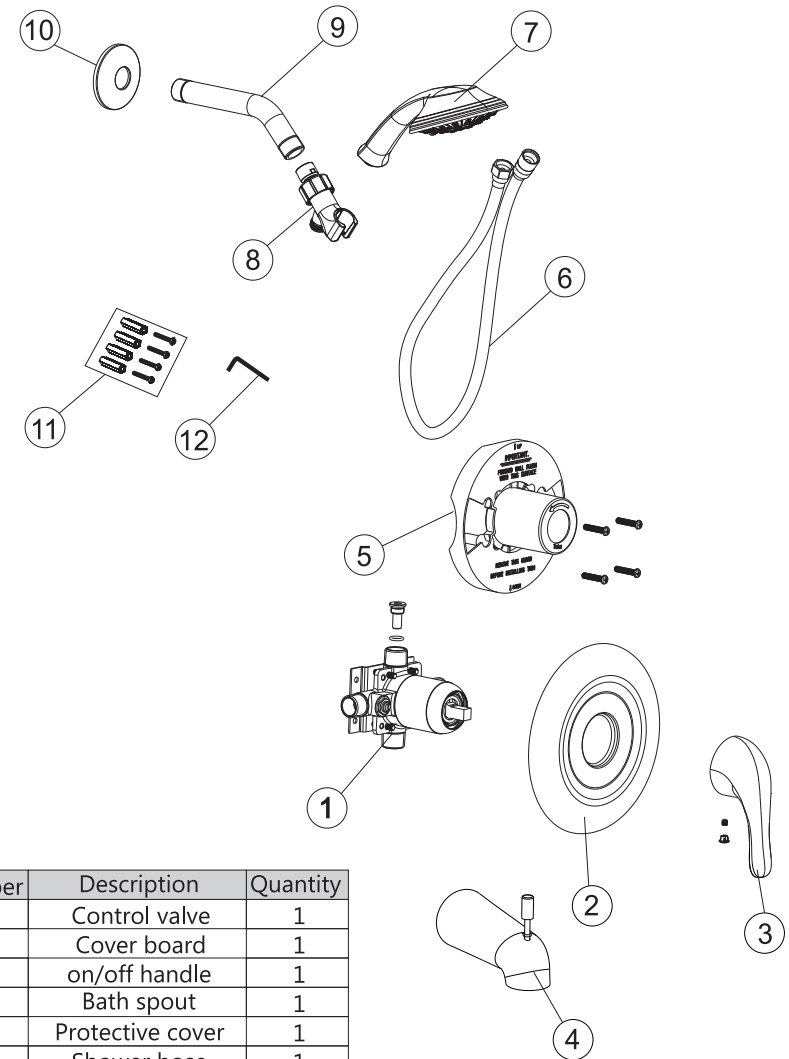
1. When you open the product packaging, please check the product and accessories at first. If there is any discrepancy, please contact the company or our distributor immediately.
2. The hot and cold water supply pipe of the faucet must be properly connected.  
When facing the front of the faucet, the hot water supply is on the left and cold water supply is on the right. Incorrect connection will cause permanent damage to the cartridge.
3. If the accessories to be changed without affecting the use, we will not make a prior notice.
4. The impurities in the water supply pipe must be cleared before installation to avoid blockage.
5. The water pressure of the faucet is 0.05MPa-1.0MPa (including cold water and hot water pressure).  
Applicable water temperature range: 39°F- 194°F

## 2. PREPARATION BEFORE INSTALLATION

1. Please read the installation manual carefully before installation.
2. Installation work must be performed by a professional installer.
3. Installation tool :



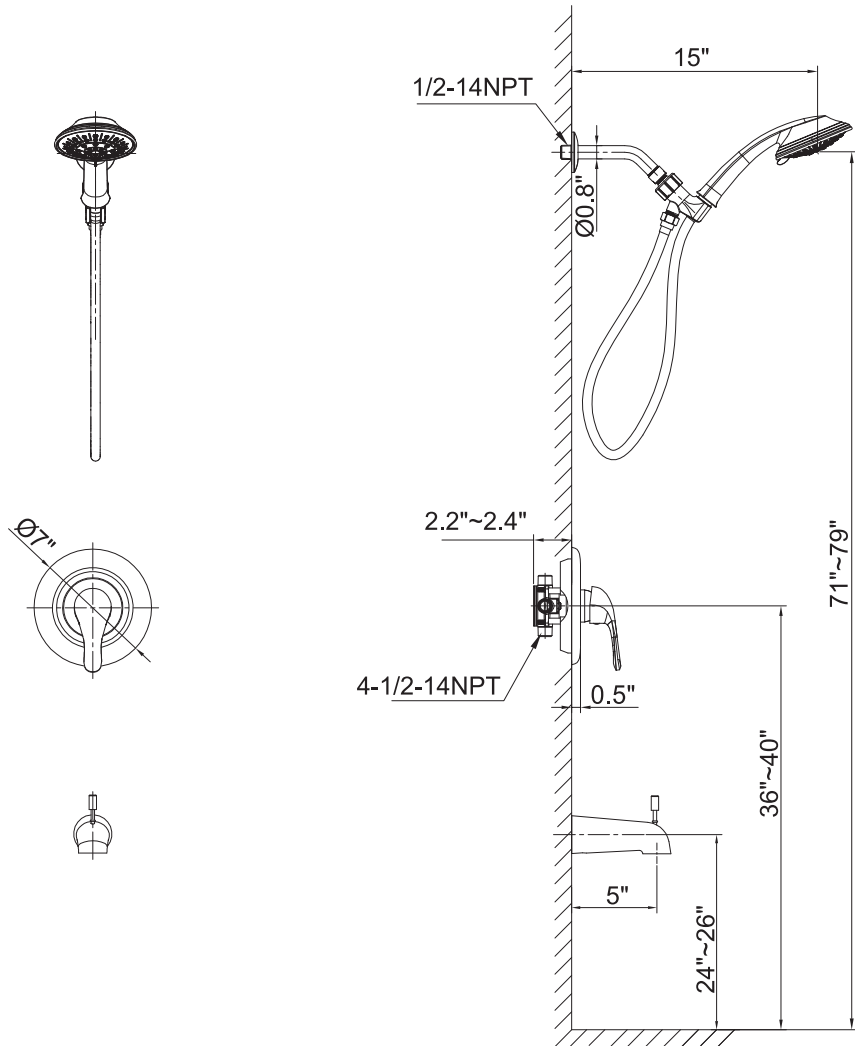
## 3. TWO FUNCTION CONCEALED FAUCET ACCESSORIES LIST



Number	Description	Quantity
1	Control valve	1
2	Cover board	1
3	on/off handle	1
4	Bath spout	1
5	Protective cover	1
6	Shower hose	1
7	Handle shower	1
8	Shower hook	1
9	Shower arm	1
10	Cover board	1
11	Screw set	1
12	Allen key	1

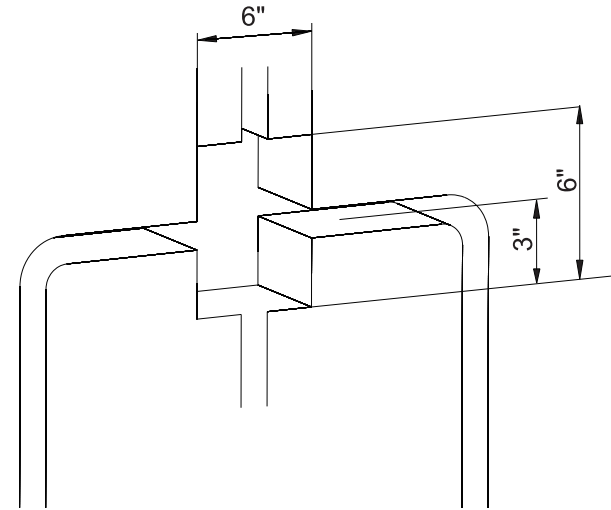
## 4. TECHNICAL DRAWING OF PRODUCT

Unit: inch

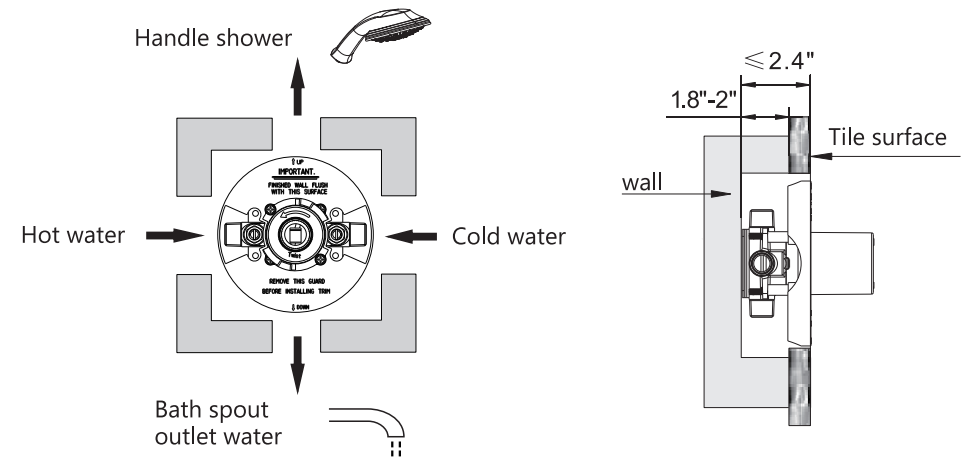


## 5. TECHNICAL DRAWING OF DRILLING SIZE

1、The size of the embedded box that needs to be drilled is 6"\*6".

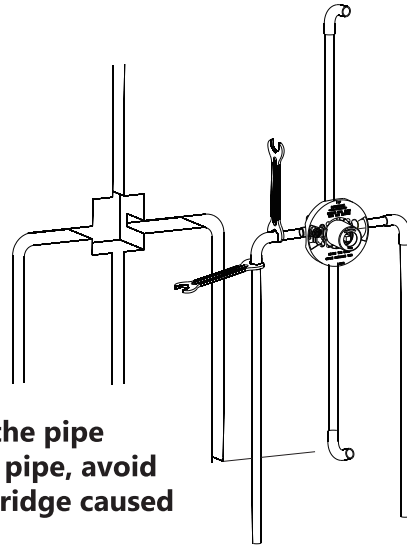


2、The depth of the embedded box is 1.8"-2.4".  
It's better to drill the depth of 1.8" for blank wall.



## 6. PIPE CONNECTION

- 1、 Please drill the holes on the wall for the main body embedded part, hot and cold water inlet pipes as well as shower arm connection pipes according to the basic product dimension drawing as below.
- 2、 Please make hot and cold water inlet pipe, the mixed water outlet pipe connect with control valve, and tighten with the wrench.

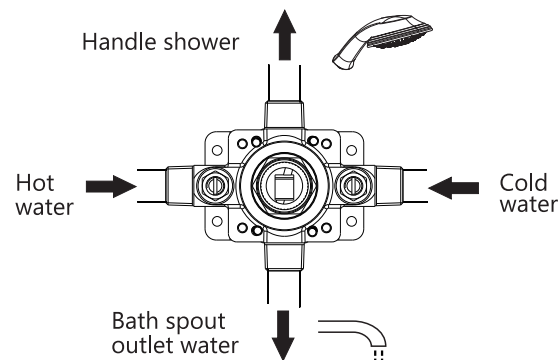


**⚠ Be sure to discharge the sewage in the pipe before connecting the water supply pipe, avoid clogging and damage the valve cartridge caused by impurities.**

## 7. WATER TESTING AND SEALING TESTING

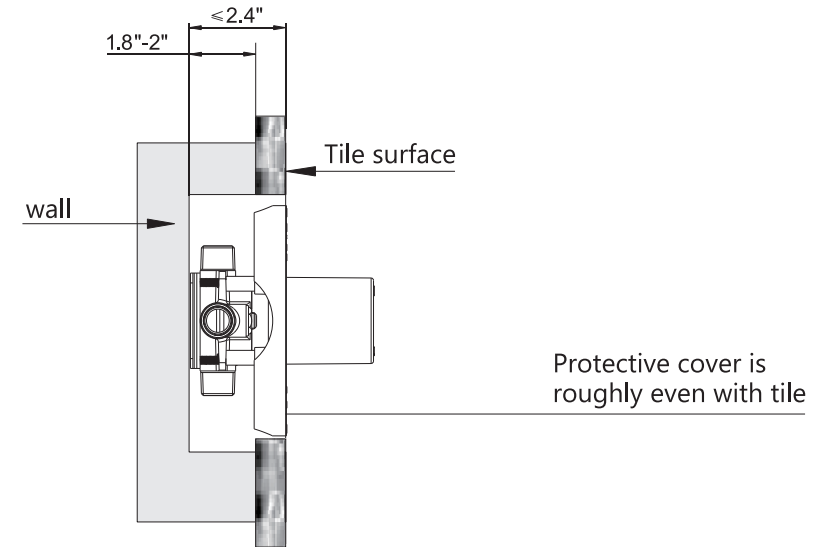
- 1、 After the pipe connection is completed, open the protective panel and cover, and then open the cartridge, flush the pipeline; then close the cartridge to check the pressure resistance and sealing performance of the pipeline, make sure there are no leakage.
- 2、 Block each outlet pipe with a stopper then open the cartridge to check if the pipe joint is well-sealed and the pipe condition under pressure to ensure no leakage.

Testing Purpose: Flush the impurities and sludge in the pipeline to avoid clogging and affect the effluent functions.



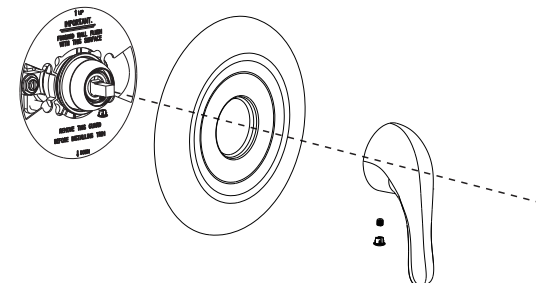
## 8. THE PROCEDURE OF SEALING THE WALL

Use a parallel ruler to measure the flatness of the embedded box casing and the vertical wall surface. If the wall surface is not flat, it should be patched to ensure the embedded box casing and vertical wall angle meets at nearly ideal angle of 90°, then lay the tile decoration.

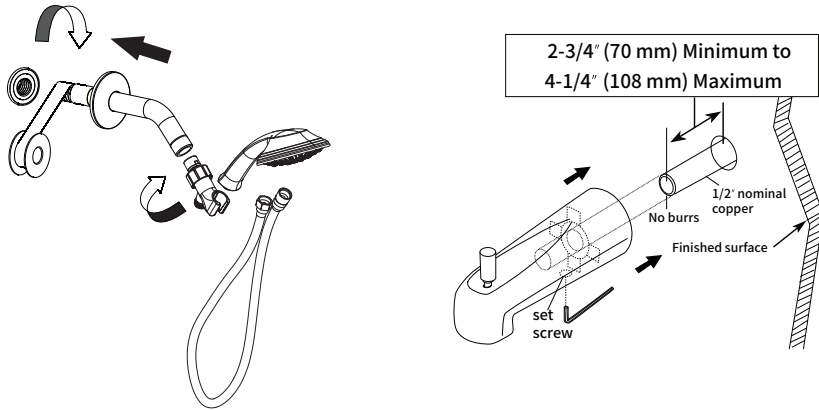


## 9. INSTALLATION OF CONTROL VALVE

- 1、 Take off the protective panel and cover.
- 2、 The decorative panel and the handle are connected to the control valve as shown below sequence.

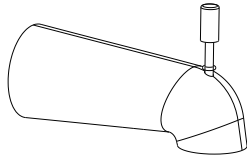


## 10. SHOWER SETS INSTALLATION

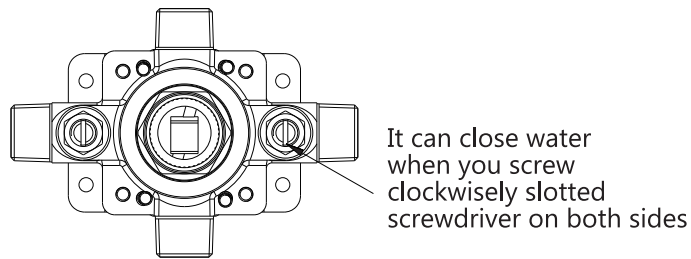


## 11. USAGE INSTRUCTION

When you open the faucet that's bathtub spout outlet water, if you want to switch to top shower outlet water please pull up the lifting rod of the bathtub spout, it will be top shower outlet water.



The outlet water adjusting device of the left and right sides, it can adjust the water flow rate and close outlet water function when you need to repair/change cartridge.



Note: If only close one side that it will cause faucet abnormal outlet water, for normal outlet water please make sure the adjusting position on both sides is open (counterclockwise to open).

## 12. PRODUCT REPARATION

If the cartridge is worn out which cause leakage, please turn off the water source. Remove the handle, panel, and decorative cover in sequence, remove the gland with a wrench, then take out the cartridge and copper sleeve. Repair or replace the new cartridge, then install it again in sequence.

## 13. CLEARANCE AND MAINTENANCE

In order to keep the faucet appearance smooth and good performance, please follow the below steps to clean and maintain the faucet.

- 1、 Clean with water and dry with a soft cotton cloth;
- 2、 Use mild liquid and colorless glass cleaner to remove surface dirt and scale, also you can use the cleaner without grinding function.
- 3、 Do not use detergents, polishing tools, abrasive cloth, paper towels or scrapers to clean the faucet.
- 4、 Do not use acid cleaners, insoluble granular detergents, soaps, etc to clean the faucet.